



# KEEP YOUR BUSINESS MOVING FORWARD.

Harness the power of industry-leading services and support from Navistar Financial.

**NAVISTAR FINANCIAL**

©2024 NAVISTAR FINANCIAL CORPORATION. All rights reserved. All marks are trademarks of their respective owners.

## A New Leece on Life

One brand guarantees world-class electrical system performance and reliability for your equipment. And it's not the other guys.

**Leece-Neville. We're focused on your fleet's bottom line.**

Maximize your uptime through these exciting benefits of premier electrical system products from the category leader:

- Maximum starting torque
- Superior electrical output
- Increased battery charge
- Unsurpassed reliability



**Start it. Charge it. Run it like never before.**

**Prestolite electric** **Leece-Neville HEAVY DUTY SYSTEMS** [prestolite.com](http://prestolite.com) • [sales@prestolite.com](mailto:sales@prestolite.com) • (800) 354-0560 •  

© 2024 Prestolite Electric Incorporated

Prices in effect on RepairLink from April 1, 2024 through June 30, 2024, unless otherwise specified or while supplies last. Installed pricing does not include shop supplies or hazardous material disposal. Prices are subject to change, and do not include state and local taxes if applicable. Pricing and specific details may vary at participating International dealer locations. See dealer for details. The warranties found herein are those of the manufacturer and are not the warranties of Navistar, Inc. Artwork is for illustration purposes only and may not represent actual product. ©2024 Navistar, Inc. All rights reserved. All marks are trademarks of their respective owners. All Promotional Pricing; Navistar, Inc. reserves the right to modify or cancel this promotion at any time. Additional discounts for National Accounts do not apply.

<b>Team Wieland Truck &amp; Trailer</b> 3165 Wolf Rd. Saginaw, MI 48601 989-755-7907 <a href="http://www.wielandtrucks.com">www.wielandtrucks.com</a>	<b>Team Wieland Truck &amp; Trailer</b> 430 Midland Rd. Bay City, MI 48706 989-662-4455 <a href="http://www.wielandtrucks.com">www.wielandtrucks.com</a>	<b>Team Wieland Truck &amp; Trailer</b> 800 Industrial Dr. Clare, MI 48617 989-386-2600 <a href="http://www.wielandtrucks.com">www.wielandtrucks.com</a>
---	--	--



**\*Free T-Shirt with First \$300 Dollar Order\***

**TEAM WIELAND TRUCK & TRAILER**  
3165 Wolf Rd.  
Saginaw, MI 48601  
989-755-7907



April - June 2024

**DRIVEN BY EXPERTS.**

**NOBODY KNOWS PARTS AND SERVICE BETTER.**

**PARTS. SERVICE. SALES.**

**500+** LOCATIONS | **6000** QUALIFIED SERVICE TECHNICIANS | **7000** SERVICE BAYS

**DRIVEN BY EXPERTS.**

*NOBODY KNOWS PARTS AND SERVICE BETTER.*

**\$148.95**

**FLEETRITE**  
HVAC  
FLTAC2613927  
Blower Motor W/Wheel

**UP TO \$25.00 OFF**

**RENEWED**  
RE-ENGINEER YOUR UPTIME  
**RENEWED STEERING GEARS SPECIAL**  
UP TO \$25.00 OFF  
SELECT RENEWED Steering Gears

**UP TO \$30.00 OFF**

**FLEETRITE**  
**FLEETRITE RADIATORS AND CAC'S SPECIAL**  
UP TO \$30.00 OFF  
SELECT Fleetrite Radiators and CAC's  
For all makes



**\$173.62**

**FLEETRITE**  
AIR SPRINGS

FLTA1R12432  
Fleetrite Suspension Air Spring



**\$325.00**

**Leece-Neville**  
HEAVY DUTY SYSTEMS  
STARTERS

LN110615  
12 VOLT 11T ROTATE POWERPRO7



**\$84.00**

**FLEETRITE**  
BATTERIES

FLTBTG31950  
Battery, Group 31, 950 CCA, 195 Rc  
For all makes



**\$309.99**

**Bendix**  
BRAKES

BX802569  
Brake Rotor, Heavy-Duty Splined



**\$89.99**

**FLEETRITE**  
BRAKES

FLTAS1132  
Slack Adjuster, Brake, Gunitite Type,  
5.5 In. Arm, 1.5 In., 10-Spline  
For all makes



**\$139.99**

**Haldex**  
BRAKES

ZZGC3030LCW  
Brake Chamber



**\$91.99**

**seats**  
UNIVERSAL SEAT COVERS

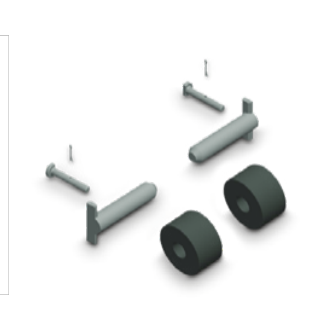
S181704XN1161  
COVERALLS™ Fits all makes  
durable machine washable and  
tight fitting. Black/Black,  
Black/Blue, Black/Mocha, and  
BlackGrey Denier.



**\$949.99**

**EATON**  
CLUTCHES

C30892525  
Clutch, 15.5 In. Easy Pedal  
Advantage (Manual Adjust)



**\$120.61**

**FONTAINE**  
FIFTH WHEELS

KITPINLLB  
Fifth Wheel Bushing Kit



**\$12.99**

**FLEETRITE**  
FILTERS, FUEL

FLTFFH1007  
Fuel Filter, Hino Application  
For all makes



**\$59.99**

**Donaldson**  
FILTRATION SOLUTIONS  
DONALDSON FUEL FILTER

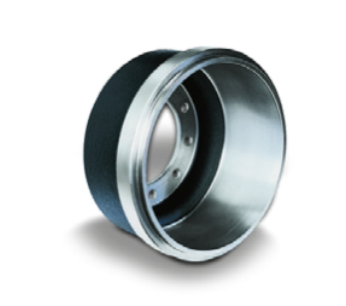
DONDBF6776  
Donaldson Fuel Filter



**\$75.95**

**MERITOR**  
BRAKE SHOES

XK3124707QP  
Brake Shoes



**\$89.99 EACH OR \$86.99 BY THE PALLET**

**GUNITITE**  
CORPORATION  
BRAKE DRUMS

ZBR3922X  
BRAKE DRUM, 10 HOLES, CAST  
IRON, 16.5 X 7



**\$87.99 EACH OR \$85.99 BY THE PALLET**

**FLEETRITE**  
BRAKE DRUMS

FLT4400B  
Brake Drums  
For all makes



**\$329.99**

**Atralyn**  
REFRIGERANT

R134A  
Refrigerant 30 lbs Cylinder